

IMPORTANT pour l'installation!
IMPORTANT for installation!
WICHTIG für die Installation!



Scan the QR Code for the manual and video instructions
Scannez le QR Code pour la notice et instructions vidéo
Scannen Sie den QR-Code nach Handbuch- und Videoanweisungen



- un problème ? visitez help-instore.com
- a problem ? visit help-instore.com
- ein Problem ? Besuchen Sie help-instore.com

- Video de montage
+ notice PDF disponible
via le QR codes

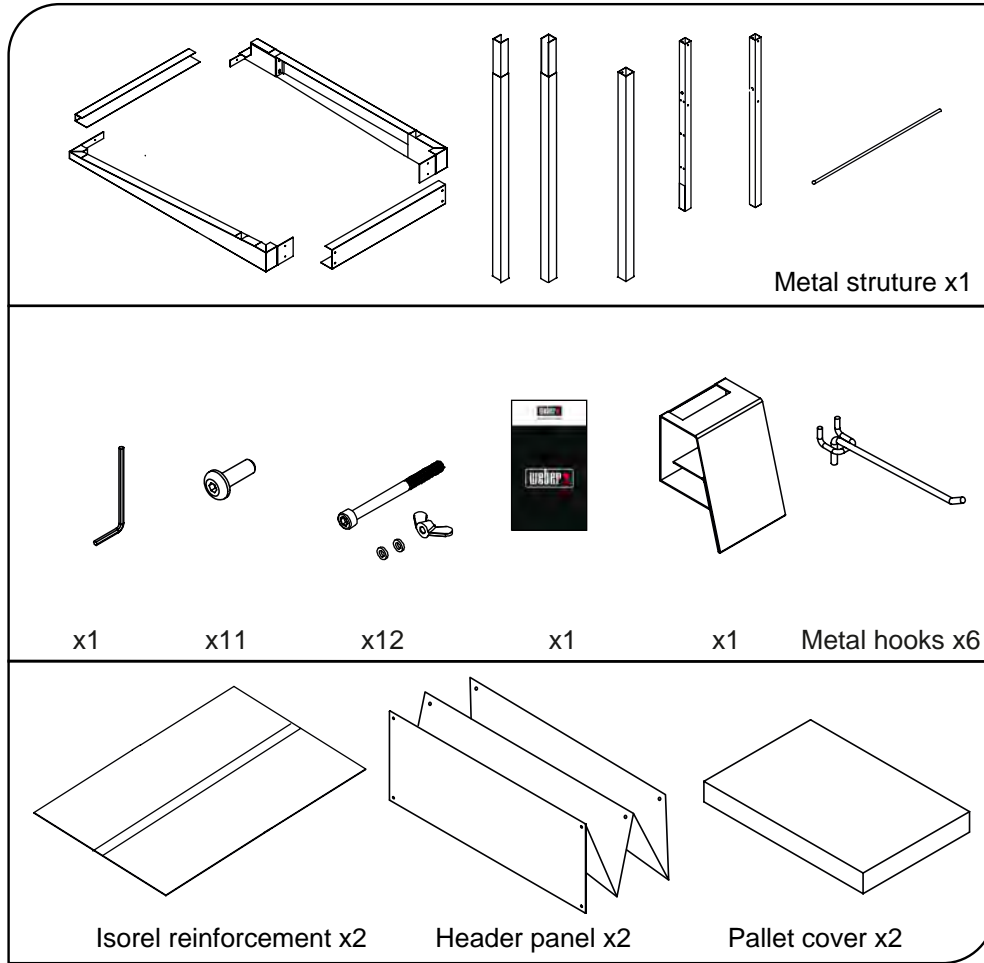
- Assembly video
+ PDF instructions available
via QR codes

Contact:

Alain-Xavier Francois
ax.francois@altavia-instore.com

Julien guyonnet
j.guyonnet@altavia-instore.com

WEBER-PODIUM



1 KIT PODIUM = 2 POSSIBLE CONFIGURATIONS

CONFIGURATION -A > pallet x1

CONFIGURATION -B > pallet x2

Header panel x2
Bubble PP 3 mm
970 x 1880 mm

Pallet cover x2
in cardboard
micro groove

Isorel
reinforcement
x2

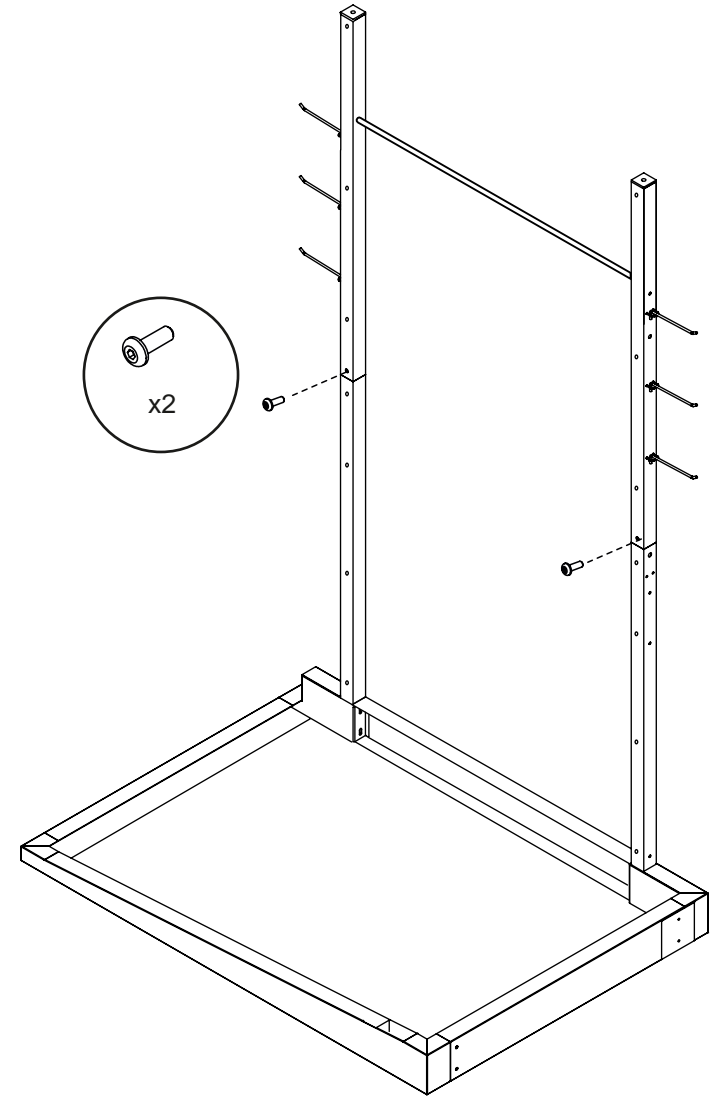
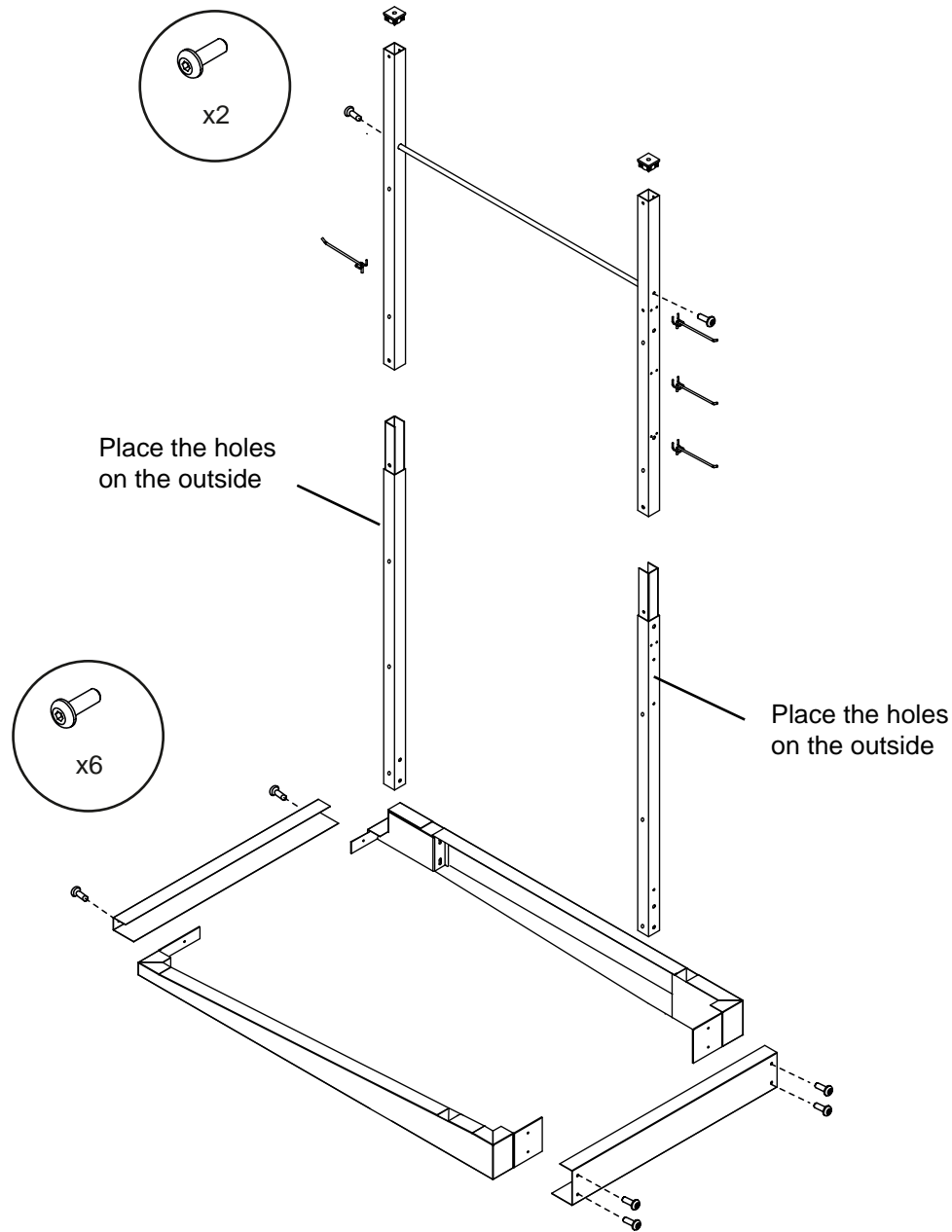
Metal struture x1

Metal hooks x6

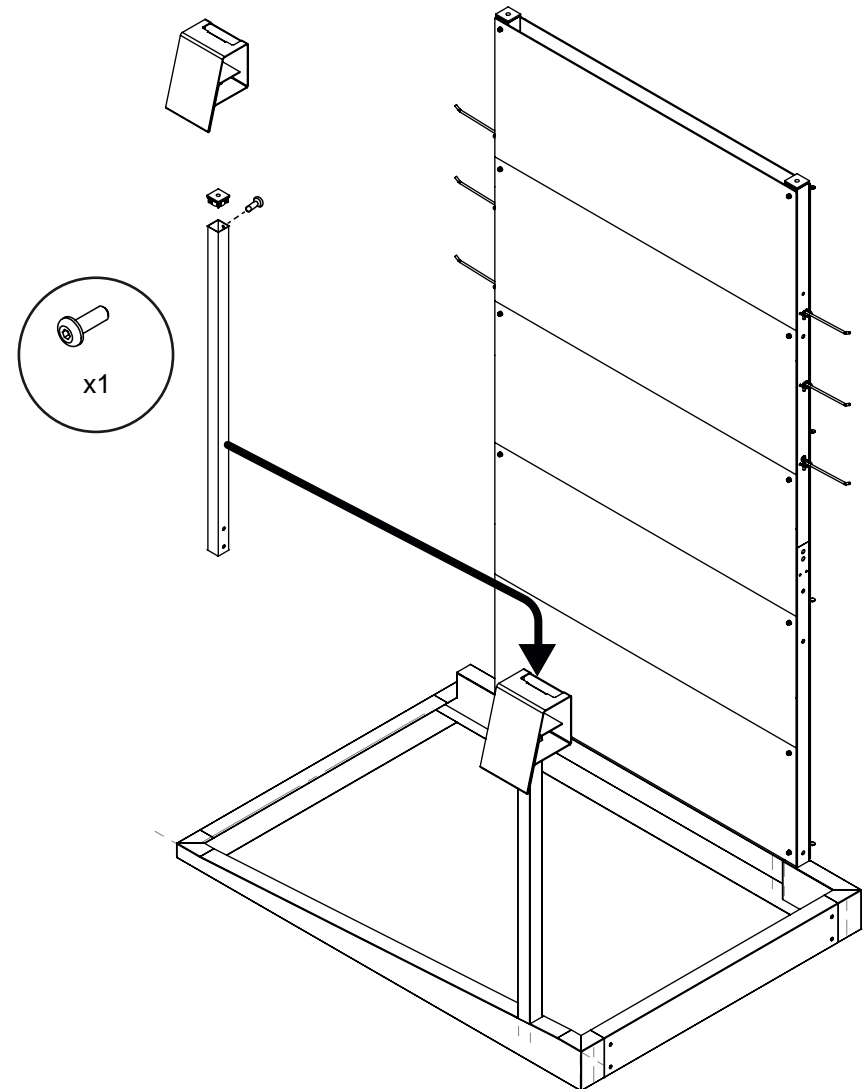
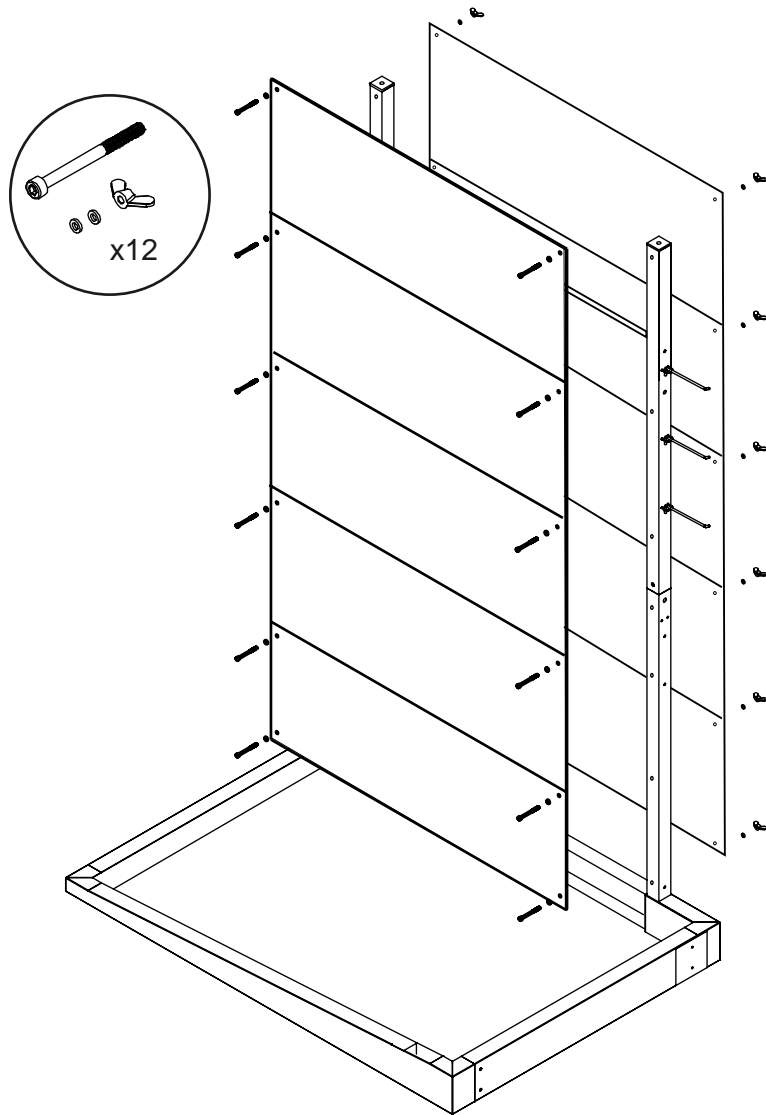
Pallet
(not supplied
with the POS
80x120 cm)



WEBER-PODIUM



WEBER-PODIUM

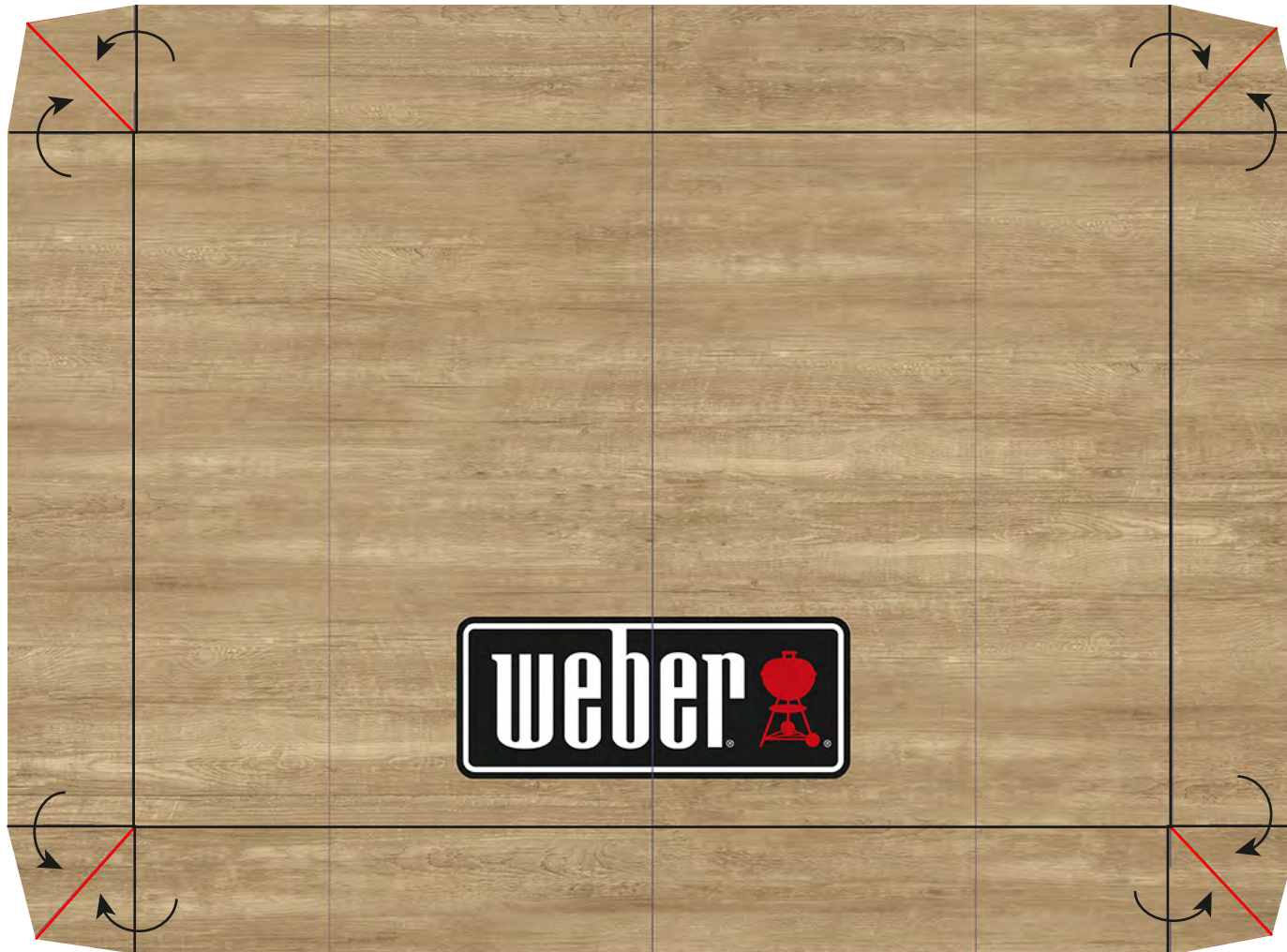


WEBER-PODIUM

PALLET COVER



To fold



WEBER-PODIUM

CONFIGURATION -A > pallet x1

NOTE:

Possibility of putting 1 or 2 header panel



2000 mm



900 mm

1300 mm

WEBER-PODIUM

CONFIGURATION -A > pallet x1



NOTE:
Possibility of
putting 1 or 2
header panel



WEBER-PODIUM

CONFIGURATION -B > pallet x2



2000 mm

BACK VIEW



800 mm

900 mm

1300 mm

FRONT VIEW